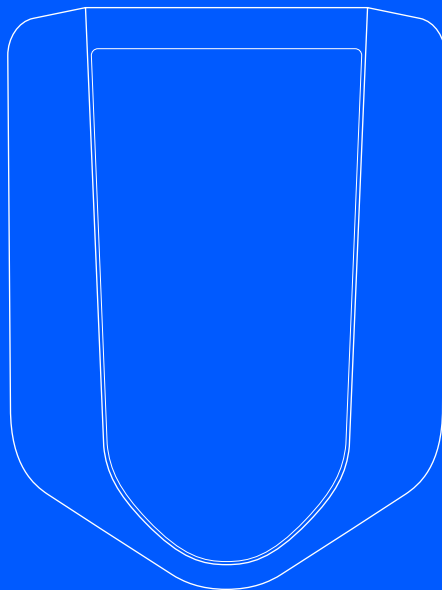


easee



EN Installer guide

Easee Ready

Introduction

Read the Important product information guide in the product packaging or at easee.com/manuals before installing the product.

Installation of this product requires a mobile device with NFC or Bluetooth support.

WARNINGS AND CAUTIONS

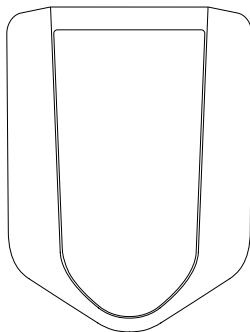
A Warning indicates a condition, hazard or unsafe practice that can result in serious personal injury or death.

A Caution indicates a condition, hazard or unsafe practice that can result in minor personal injury or damage to the product.

WARNING

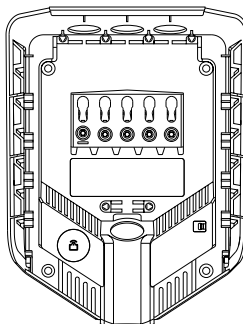
This product shall only be installed, repaired or serviced by an authorised electrician. All applicable local, regional and national regulations for electrical installations must be respected.

Product overview



Blind cover

Protects the electrical connections from external influences.



Backplate

For attaching and connecting to the charging infrastructure.

Installation kit



Strain relief
x 2



Blind plug
x 3



Sealing plug
x 2



Strain relief and
front cover
screws (T25)
x 5



Wall screws
(T25)
x 4



Blind cover tool
x 1

Technical specifications

General

Dimensions	256 x 193 x 78 mm (H x W x D)
Drilling hole distance	c/c 160 x 125 mm (H x W)

Backplate technical specifications

Max charging power capacity	1.4–22 kW 6 A 1 phase - 32 A 3 phase Up to 7.36 kW at 32 A 1 phase Up to 22 kW at 32 A 3 phase
Voltage	3x 230/400V AC (±10%)
Mains frequency	50 Hz

Protection

Degree of protection	IP44
Impact resistance	IK10

Installation

Installation network	TN, IT or TT (detected automatically)
Installation circuit breaker	Max 40 A (up to 3 chargers) Max 80 A (up to 101 chargers)
Wire cross-section	Copper wire, between 2.5 and 16 mm ² . Use the largest possible wire cross-section to make the site future-proof.
Cable diameter	8–22 mm
Terminal torque	5 Nm
Cable strip length	12 mm

Planning the installation

Prior to the installation, it is recommended that you consider future charging needs, so that you can easily expand accordingly in the future.

If several Charging Robots are connected to the same circuit, the total current is dynamically distributed between them. The connected Charging Robots communicate wirelessly between each other, ensuring the circuit is not overloaded. The maximum charging current is set during configuration.

For an optimal result

- We always recommend a 3 phase installation if possible, to make it future-proof.
- If possible, use the largest approved cable cross-section (see [Technical specifications](#)).

Special notes

- Several backplates can be connected in parallel, as each Charging Robot has its own protective device.
- If the charging infrastructure includes more than one Charging Robot, the backplate that is configured first becomes the master of its circuit.
- If more than 2 units are installed, the master unit should be located in the middle of the installation (if possible) for an optimal Easee Link communication.
- **Site Key:** During installation, a Site Key must be used to assign the Charging Robots to the correct location in the Easee Cloud. A Site Key will automatically be generated when creating a new charging site using the Easee Installer App or it can be obtained by creating a new charging site at easee.cloud.

Your house, power grid and EV

The Charging Robot automatically adapts to the power grid, the electric car and the capacity of the electrical installation. In the table you can see what charging effect you can expect from your installation and situation. The table is only meant as a guide.

CAUTION

The type of installation as well as cable cross-sections must be determined by a qualified electrician in accordance with valid local, regional and national regulations for electrical systems.

Load	Charging power	
Ampere (A)	1 phase (kW)	3 phase (kW) ¹
6	1.4	4.1
8	1.8	5.5
10	2.3	6.9
13	3.0	9
16	3.7	11
20	4.6	13.8
25	5.8	17.3
32	7.4	22

¹ Example for 400 V TN, deviating values for other grid types.

Installation instructions

⚠ WARNING

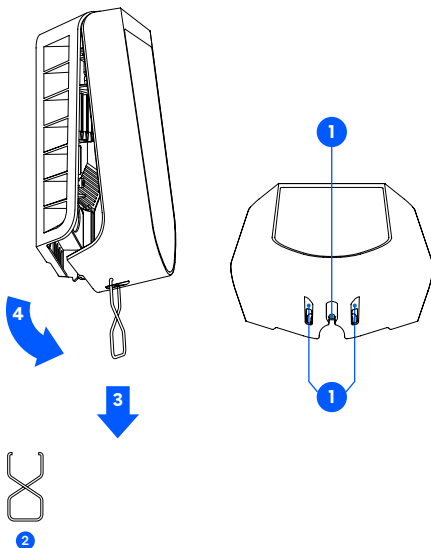
Always work with the power off and in accordance with local regulations. Use extreme caution and follow instructions carefully.



We recommend that you watch the installation videos available on our website: [easee.support](https://www.easee.com/support).

1 Easee Ready Opening

- 1 Screw the locking screw at the bottom of the Easee Ready.
- 2 Insert the two ends of the blind cover tool into the two openings at the bottom of the cover.
- 3 Pull the tool until the blind cover comes loose and remove the cover.
- 4 Lift the cover from the bottom and upwards.



2 Backplate Mounting

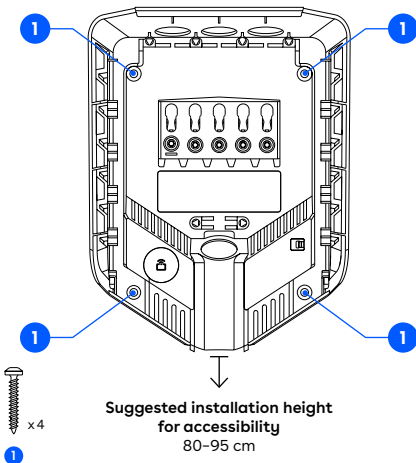
- 1 Fix the backplate to a wall or structure with sufficient load-bearing capacity using the 4 wall screws provided in the mounting kit. Use suitable wall plugs for mounting and observe the local regulations for mounting and observe the local regulations for recommended installation height.

⚠ CAUTION

The installation wall must cover the entire back of the product. If this is not possible to achieve, it is possible to use the Easee Mount.

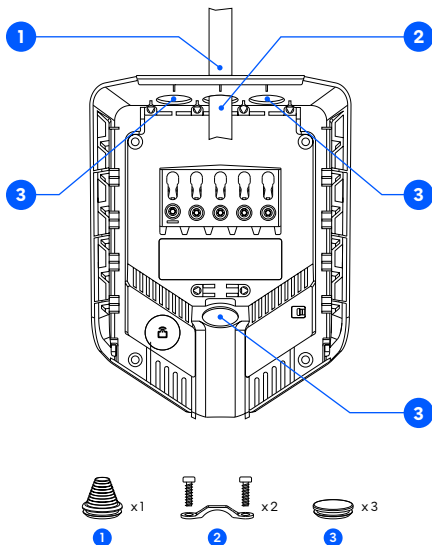
NOTE

If you are going to install multiple backplates, now would be a good time to mount them as well.



3 Backplate Preparing

- 1 Shorten the sealing plug to fit the cable. The hole should be slightly smaller than the cable to ensure a good seal.
- 2 Insert the cable through one of the 4 cable entries and secure it to the backplate with the strain relief provided.
- 3 Close all cable entries that are not in use with the supplied blind plugs.

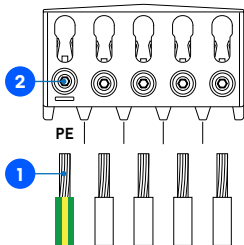


4 Backplate Wiring

- 1 Strip each wire, exposing 12 mm of copper on each. If the cable has flexible conductors, then you must use ferrules on stranded wires to make the connection. Use the correct tools to press them.
- 2 Tighten the screw terminals with a torque of 5 Nm.

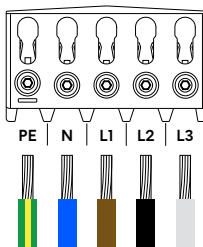
NOTES

- When connecting multiple backplates in parallel, each screw terminal serves as a coupling point for adjacent backplates. All backplates must be connected with the same phase sequence. External junction boxes or flat cables can be used if it is more convenient.
- It's recommended to follow the existing colour codes used in the installation. Depending on national standards, the colours of the cables can vary from the illustrations. The illustrations in this manual follow the IEC 60446 standard.
- Before turning on the power, make sure the wires are properly connected and tightened.



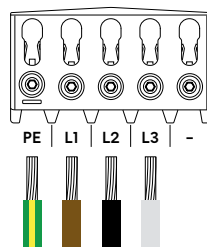
TN/TT 3-phase

(3x 230/400 V)



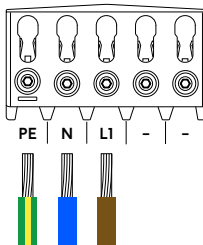
IT/TT 3-phase

(3x 230 V)



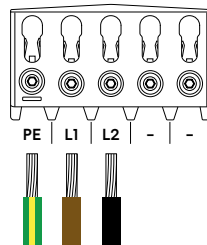
TN 1-phase

(230 V)



IT/TT 1-phase

(230 V)



5 Backplate Configuring

- 1 Scan the QR code to download the Easee Installer App and create your free account.

NOTE

Your phone needs to support either NFC or Bluetooth.

- 2 Select one of the two site setups in the Installer App:

Create new site: If this is a completely new charging site, select "Create new site". Enter the installation details, follow the on-screen instructions and return to this guide afterwards.

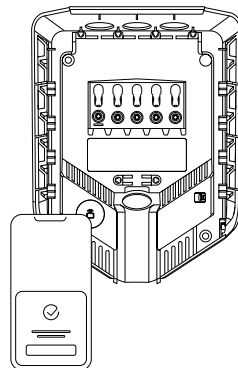
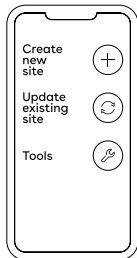
Update existing site: If this site already has one or more Charging Robots installed or if it has been created by an operator (Easee Charge), select "Update existing site" and search for the site address. On "Site overview", select the circuit that you want the backplate to be part of and select "Add another backplate". Follow the on-screen instructions and return to this guide afterwards.

NOTE

If the charging circuits include more than one Charging Robot, the backplate that is configured first becomes the master unit of the charging infrastructure. To achieve the best communication flow, the centre backplate should be configured first.



easee.com/installer-app



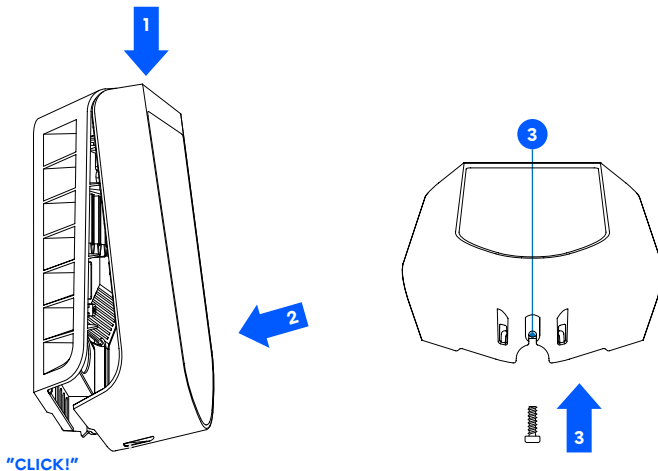
7

Blind cover

Closing

- 1 Hang the blind cover at the top of the backplate and let it fall into place.
- 2 Press the bottom of the blind cover until you hear a click.
- 3 Screw in the blind cover screw at the bottom of the charger to secure the blind cover.
NOTE! The locking screw is necessary to secure the cover and protect the backplate from exposure.

Your Easee Ready is now installed!



Maintenance

Cleaning

The product does not require cleaning to operate properly. Nevertheless, if the product needs to be cleaned for cosmetic reasons, this is possible.

- Use a damp cloth and an all-purpose household cleaner. Avoid using strong chemicals that contain oil or alcohol, as this will discolour the plastic.
- Do not use running water or high pressure water jets.

Repair

If your charger needs to be repaired, please contact your Easee supplier.

Returns and complaints

Contact your distributor or Easee Customer Support regarding the return and complaint of your product.

Customer support

Download the latest manuals, find answers to frequently asked questions and useful documents and videos for your product at easee.support.

Practical details

Warranty

The device is free from material defects and is in accordance with laws and regulations for consumer protection in the country where the product is purchased. All correctly installed Easee hardware is covered by our 3 years* limited warranty. If your charger needs to be repaired within this warranty period, please contact your Easee supplier. Further information can be found at easee.support.

*Some countries may have extended warranty.

Contact details

Easee ASA
Grønseveien 19
4313 Sandnes, Norway
Org. nr: 920 292 046

You can find additional contact details for your country at easee.com.

The information in this document is for information purposes only, is provided as is, and may be subject to change without notice. Easee ASA including its subsidiaries does not accept any liability for the correctness or completeness of the information and illustrations, and is not liable or responsible for your considerations, assessments, decisions or absence of such, or other use of the information in this document.

No part of this publication may be re-published, reproduced, transmitted or re-used in any other form, by any means or in any form, for your own or any third-party's use, unless otherwise agreed with Easee or its subsidiaries in writing. Any permitted use shall always be done in accordance with good practice and ensure that no harm may be caused to Easee or by misleading the consumer.

Easee and Easee products, product names, trademarks and slogans, whether registered or not, are Easee's intellectual property and may not be used without Easee's prior written permission. All other products and services mentioned may be trademarks or service marks of their respective owners.

July 2023 - Version 1.01

© 2023 by Easee ASA. All rights reserved.



Easee ASA
Grenseveien 19
4313 Sandnes, Norway
www.easee.com